

ACME

ROTARY LEATHER SPRAY SYSTEM

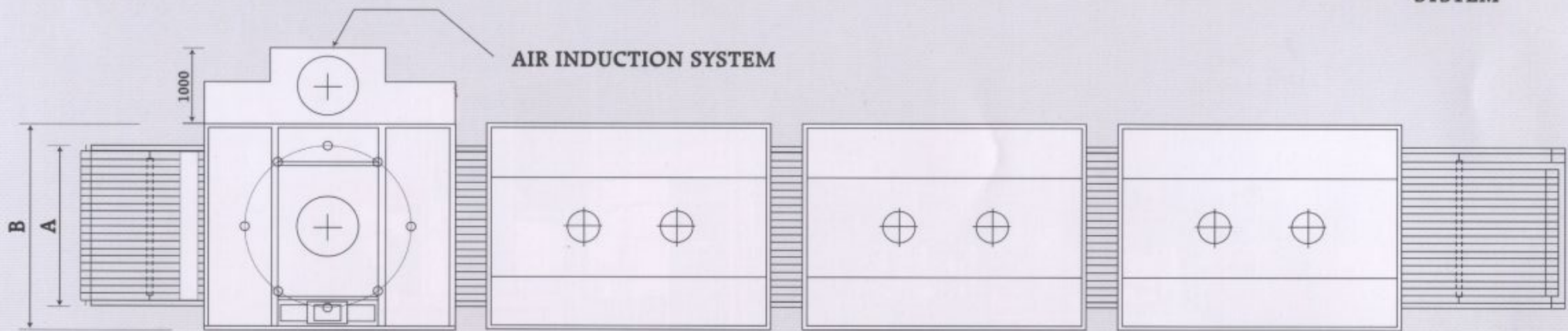
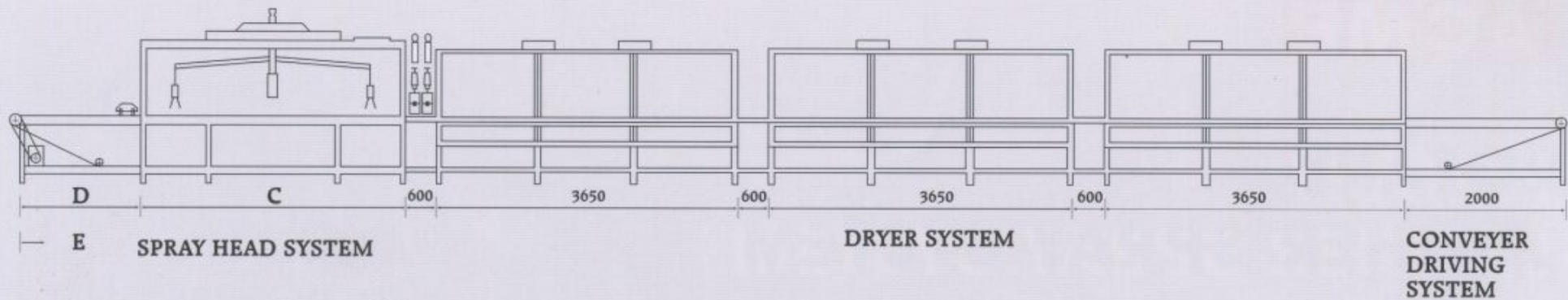
旋轉式 皮革自動噴漆系統



This is a new generation of spray system. You will make a high quality finish based on the exact theoretical ground. You will save much material since you can easily get a even lay down. For those, we only use one electronic circuit board to control the system

- *新一代的噴漆系統
- *基本上針對高度均勻塗裝而設計
- *由於容易獲得高度均勻而省塗料
- *控制系統簡潔，保養維護容易





MODEL	A	B	C	D	E
RS-180	2100	3000	4000	1600	20350
RS-210	2400	3400	4400	1600	20750
RS-340	3600	4500	5500	1600	21850

RS-180,210,340

TECHNICAL DATA

Effective width: 1800~3400 or other

Number of gun: guns (4 to 8)

Line speed: Max 16 meters/min

Material feed: Two system two pumps.

System control: photo-electronic, microprocessor.

Dry chamber: Steam heated.

Air consumption: 870 liter/min at 6 kg/cm.

Steam consumption: Max 300 kg/hr.

Electric power: 7-10 kw.

ACME

崇達電子機械股份有限公司

ELECTRONIC MACHINERY CO., LTD.

台南縣永康市環工路40號

NO.40, HWAN GONG RD., YUNG-KANG CITY

TAINAN COUNTY, TAIWAN R.O.C.

TEL:886-6-2333121-2 FAX:886-6-2329362

